

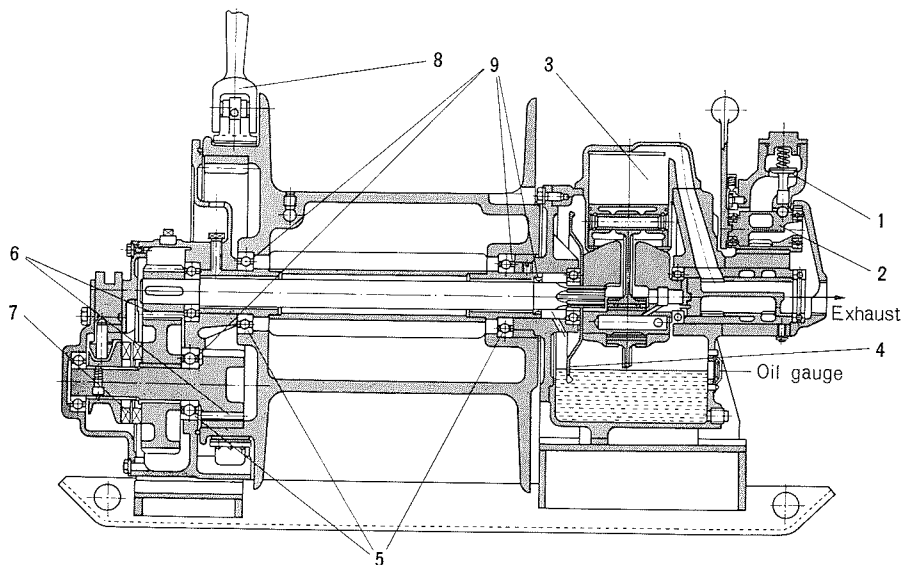
San-Ei Air Winches

BENEFITS and FEATURES

Our long-term experiences and excellent techniques gave a birth to epoch-making air winches. Versatile *SAN-EI's* Models have been widely used in metal mining, construction, shipbuilding, heavy machinery manufacturing, chemicals and other industries.

Every user has been selecting our products with the following benefits and features :

- ※ Easy operation [controll lever only] and safe mechanism [brake] are designed.
- ※ Compact and light weight, they can be moved quickly from one location to another.
- ※ Dusty environment is acceptable for use. ※ No sparks are generated.
- ※ No damage with overheat occurs even for overload.
- ※ Continuous operation at full capacity is available.
- ※ Drum diameter is large enough to prolong life of rope.



- | | |
|---|--|
| ① Poppet / Spool valve is used for the control valve to eliminate air leakage. | ② Reverse revolution is available. Valve handle operation allows free handling of the load, as air flows into the control valve. |
| ③ Strong radial piston air motor is built-in. | ④ Oil disc in the sealed crank case contains oil bath lubricates all sliding parts. |
| ⑤ Ball / roller bearings minimize friction loss. | ⑥ Set-up reduction ratio works on rope pull and rope speed. |
| ⑦ Claw clutch mechanism allows safe, accurate handling in locked ON / OFF positions. | |
| ⑧ Band brake manual or automatic. | ⑨ Sealed ball bearings completely prevent oil leakage from the casings. |