



Type 437

Safety Relief Valves
– spring loaded

US Units



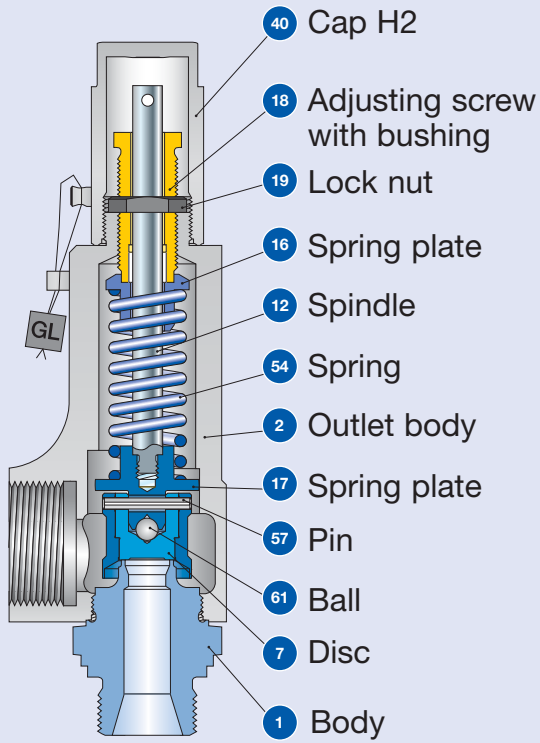
Facts

LESER

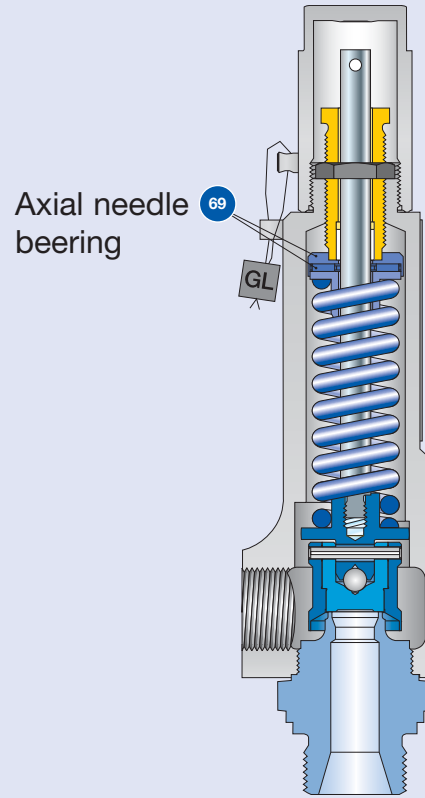
The-Safety-Valve.com

Available designs

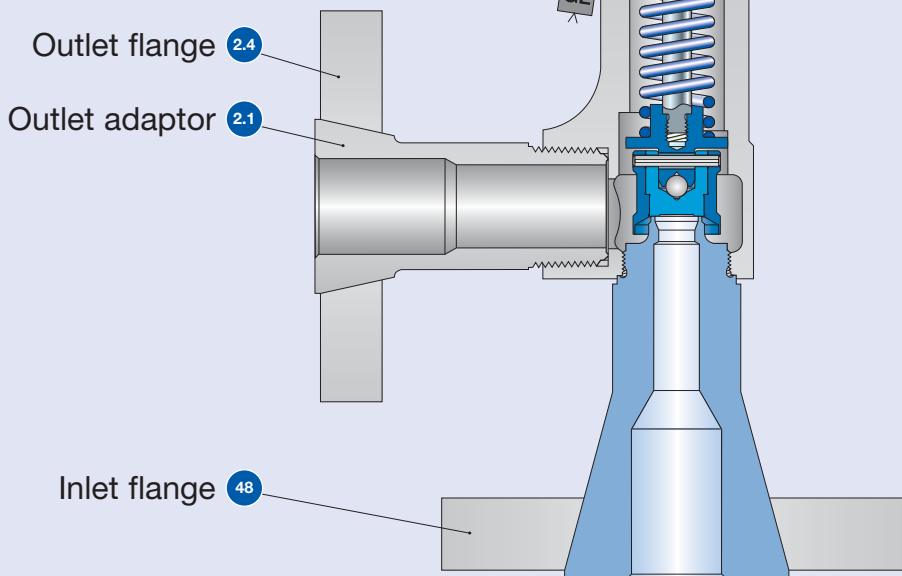
Type 437



Conventional design
Threaded connection



Long version
Threaded connection



Conventional design
Flange connection

Available designs – materials

Materials			Type 4373	Type 4374
Item	Component	Remarks	Type 4373	Type 4374
1	Base / Inlet body	Threaded connection	1.4104 ¹⁾ , 1.4404 SA 479 430 ¹⁾ , SA 479 316L	1.4404 SA 479 316L
		Flange connection	1.4404 SA 479 316L	1.4404 SA 479 316L
		Long version	1.4104 ²⁾ , 1.4404 stellite SA 479 430 ²⁾ , SA 479 316L stellite	1.4404 stellite SA 479 316L stellite
2	Outlet body		1.4104 SA 479 430	1.4404 SA 479 316L
2.1	Outlet adaptor	Flange connection	1.4404 316L	1.4404 316L
2.4	Outlet flange	Flange connection	1.4404 316L	1.4404 316L
7	Disc		1.4122 Hardened stainless steel	1.4404 SA 316L
		Long version	d ₀ 6: 1.4404 stellite d ₀ 10: 1.4122 d ₀ 6: 316L stellite d ₀ 10: Hardened stainless steel	d ₀ 6: 1.4404 stellite d ₀ 10: 1.4404 d ₀ 6: 316L stellite d ₀ 10: 316L
12	Spindle ³⁾		1.4021 420	1.4404 316L
16/17	Spring plate ³⁾		1.4104 Chrome steel	1.4404 316L
18	Adjusting screw with bushing		1.4104 / PTFE Chrome steel / PTFE	1.4104 / PTFE 316L / PTFE
		19	Lock nut	1.0718 Steel
40	Cap H2		1.0718 Steel	1.4404 316L
		48	Inlet flange	Flange connection
54	Spring		1.4310 Stainless steel	1.4310 Stainless steel
		57	Pin	1.4310 Stainless steel
61	Ball		1.3541 Hardened stainless steel	1.4401 316
		69	Axial needle bearing	Long version

¹⁾ Only for male thread DIN ISO 228-1 G³/₈, G¹/₂, G³/₄ (Option codes V49, V54, V55).

²⁾ Only for d₀ 10 with male thread DIN ISO 228-1 G³/₈, G¹/₂, G³/₄ (Option codes V49, V54, V55).

³⁾ The items 12 and 17 are combined to one unit.

Please notice:

- Modifications reserved by LESER.
- LESER can upgrade materials without notice.
- Every part can be replaced by other material acc. to customer specification.

How to order – Article numbers

Article numbers

	Conventional design		Long version	
Actual Orifice diameter d_0 [mm]	10	6	10	
Actual Orifice area A_0 [mm ²]	78.5	28.3	78.5	
Actual Orifice diameter d_0 [inch]	0.394	0.236	0.394	
Actual Orifice area A_0 [inch ²]	0.122	0.044	0.122	
Base / Inlet body material: 1.4104 (430)				
H2 Art.-No. 4373.	2602	2622	2612	
H3 Art.-No. 4373. $p_{max.} = 16 \text{ bar}_g$	2603	-	-	
H4 Art.-No. 4373.	2604	2624	2614	
p [bar _g]	S/G/L 0.1 – 93	S/G 180 – 365	S/G/L 93 – 180	
p [psig]	S/G/L 1.5 – 1349	S/G 2611 – 5294	S/G/L 1349 – 2611	
Base / Inlet body material: 1.4404 (316L)				
H2 Art.-No. 4374.	3142	3122	3152	
H4 Art.-No. 4374.	3144	3124	3154	
p [bar _g]	S/G/L 0.1 – 68	S/G 180 – 365	S/G/L 68 – 180	
p [psig]	S/G/L 1.5 – 986	S/G 2611 – 5294	S/G/L 986 – 2611	

Dimensions and weights – US Units

Type 437

Threaded connections

Size Outlet body	Conventional design			Long version					
	1/2" $\frac{1}{2}$ "	3/4" $\frac{3}{4}$ "	1" 1 "	1/2" $\frac{1}{2}$ "	3/4" $\frac{3}{4}$ "	1" 1 "	1/2" $\frac{1}{2}$ "	3/4" $\frac{3}{4}$ "	1" 1 "
Actual Orifice diameter d_0 [inch]	0.394	0.394	0.394	0.236	0.236	0.236	0.394	0.394	0.394
Actual Orifice area A_0 [inch ²]	0.122	0.122	0.122	0.044	0.044	0.044	0.122	0.122	0.122
Weight [lbs]	2.6	3.5	3.5	3.1	4.6	4.6	3.1	4.6	4.6
Required installation diameter [inch]	2 ⁹ / ₁₆	3 ⁵ / ₃₂	3 ⁵ / ₃₂	2 ⁹ / ₁₆	3 ⁵ / ₃₂	3 ⁵ / ₃₂	2 ⁹ / ₁₆	3 ⁵ / ₃₂	3 ⁵ / ₃₂

Inlet thread "Female"

Size outlet body	Conventional design			Long version							
	1/2" $\frac{1}{2}$ "	3/4" $\frac{3}{4}$ "	1" 1 "	1/2" $\frac{1}{2}$ "	3/4" $\frac{3}{4}$ "	1" 1 "	1/2" $\frac{1}{2}$ "	3/4" $\frac{3}{4}$ "	1" 1 "		
Center to face [inch]											
DIN ISO 228-1 ISO 7-1/BS 21 ASME B1.20.1	G Rc NPT	Inlet 1/2" a	1 ¹³ / ₁₆	1 ¹³ / ₁₆	1 ¹⁵ / ₁₆	1 ¹³ / ₁₆	1 ¹³ / ₁₆	1 ¹⁵ / ₁₆	1 ¹³ / ₁₆	1 ¹³ / ₁₆	1 ¹⁵ / ₁₆
		Inlet 3/4", 1" a	2 ⁷ / ₃₂	2 ⁷ / ₃₂	2 ⁵ / ₁₆	2 ⁷ / ₃₂	2 ⁷ / ₃₂	2 ⁵ / ₁₆	2 ⁷ / ₃₂	2 ⁷ / ₃₂	2 ⁵ / ₁₆
		Outlet b	1 ³ / ₁₆	1 ¹⁵ / ₃₂	1 ¹⁵ / ₃₂	1 ³ / ₁₆	1 ¹⁵ / ₃₂	1 ¹⁵ / ₃₂	1 ³ / ₁₆	1 ¹⁵ / ₃₂	1 ¹⁵ / ₃₂
Height [inch]											
		Inlet 1/2" H max.	8 ⁷ / ₃₂	8 ⁷ / ₃₂	8 ¹¹ / ₃₂	8 ⁷ / ₃₂	8 ⁷ / ₃₂	8 ¹¹ / ₃₂	8 ⁷ / ₃₂	8 ⁷ / ₃₂	8 ¹¹ / ₃₂
		Inlet 3/4", 1" H max.	8 ⁵ / ₈	8 ⁵ / ₈	8 ³ / ₄	9 ⁷ / ₁₆	9 ⁷ / ₁₆	9 ⁹ / ₁₆	9 ⁷ / ₁₆	9 ⁷ / ₁₆	9 ⁹ / ₁₆

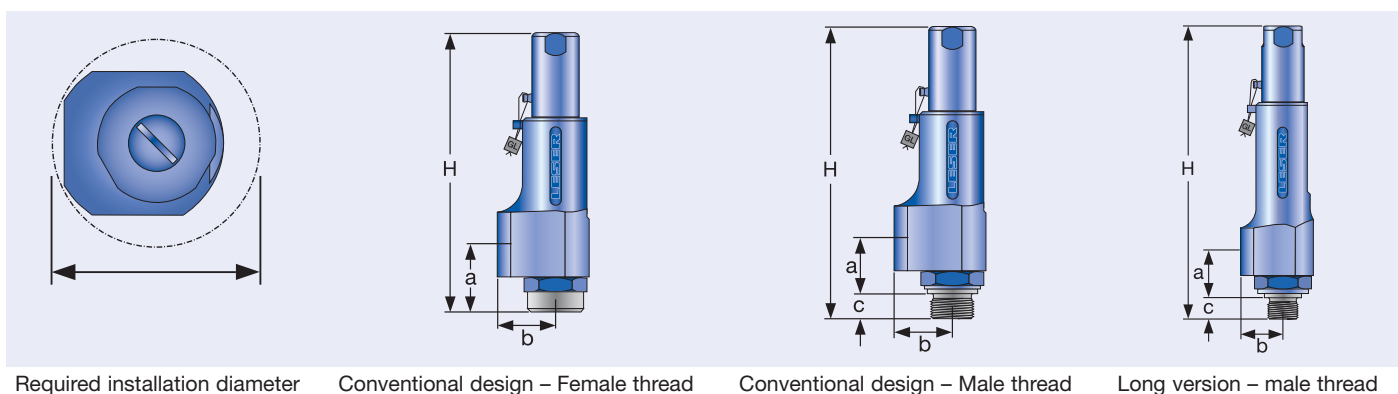
Inlet thread "Male"

Size outlet body	Conventional design			Long version							
	1/2" $\frac{1}{2}$ "	3/4" $\frac{3}{4}$ "	1" 1 "	1/2" $\frac{1}{2}$ "	3/4" $\frac{3}{4}$ "	1" 1 "	1/2" $\frac{1}{2}$ "	3/4" $\frac{3}{4}$ "	1" 1 "		
Center to face [inch]											
DIN ISO 228-1 ISO 7-1/BS 21 ASME B1.20.1	G R NPT	Inlet a	1 ⁵ / ₁₆	1 ⁵ / ₁₆	1 ¹³ / ₃₂	1 ⁵ / ₁₆	1 ⁵ / ₁₆	1 ¹³ / ₃₂	1 ⁵ / ₁₆	1 ⁵ / ₁₆	1 ¹³ / ₃₂
		Outlet b	1 ³ / ₁₆	1 ¹⁵ / ₃₂	1 ¹⁵ / ₃₂	1 ³ / ₁₆	1 ¹⁵ / ₃₂	1 ¹⁵ / ₃₂	1 ³ / ₁₆	1 ¹⁵ / ₃₂	1 ¹⁵ / ₃₂
		Inlet a	1 ⁷ / ₃₂	1 ⁷ / ₃₂	1 ¹¹ / ₃₂	1 ⁷ / ₃₂	1 ⁷ / ₃₂	1 ¹¹ / ₃₂	1 ⁷ / ₃₂	1 ⁷ / ₃₂	1 ¹¹ / ₃₂
		Outlet b	1 ³ / ₁₆	1 ¹⁵ / ₃₂	1 ¹⁵ / ₃₂	1 ³ / ₁₆	1 ¹⁵ / ₃₂	1 ¹⁵ / ₃₂	1 ³ / ₁₆	1 ¹⁵ / ₃₂	1 ¹⁵ / ₃₂
Height [inch]											
		H max.	8 ³ / ₁₆	8 ¹ / ₄	8 ¹¹ / ₃₂	8 ¹⁷ / ₃₂	9	9 ³ / ₃₂	9 ⁵ / ₃₂	9 ³ / ₈	
		H max.	–	8 ³ / ₈	8 ¹³ / ₃₂	8 ²¹ / ₃₂	–	9 ⁷ / ₃₂	9 ¹ / ₄	9 ¹⁵ / ₃₂	
		H max.	–	8 ¹ / ₂	8 ¹ / ₂	8 ¹³ / ₁₆	–	9 ⁵ / ₁₆	9 ⁵ / ₁₆	9 ²¹ / ₃₂	

Length of screwed end "c" [inch]

Size inlet thread	Conventional design			Long version		
	3/8" $\frac{3}{8}$ "	1/2" $\frac{1}{2}$ "	3/4" $\frac{3}{4}$ "	3/8" $\frac{3}{8}$ "	1/2" $\frac{1}{2}$ "	3/4" $\frac{3}{4}$ "
DIN ISO 228-1 ISO 7-1/BS 21 ASME B1.20.1	G R NPT	15 ¹⁵ / ₃₂	9 ⁹ / ₁₆	3 ³ / ₄	5 ⁵ / ₈	23 ²³ / ₃₂
		–	3 ³ / ₄	7 ⁷ / ₈	25 ²⁵ / ₃₂	29 ²⁹ / ₃₂
		–	7 ⁷ / ₈	7 ⁷ / ₈	7 ⁷ / ₈	1 ¹ / ₁₆

Available threaded connections refer to page 04/04.



Dimensions and weights – US Units

Flanged connection

	Conventional design	Long version
Actual Orifice diameter d_0 [inch]	0.394	0.236
Actual Orifice area A_0 [inch ²]	0.122	0.044

DIN EN 1092-1 (Available flange sizes refer to page 04/05)

Flange rating PN 40			
Center to face	[inch]	Inlet a	$3^{15}/_{16}$
		Outlet b	$3^{15}/_{16}$
Height	[inch]	H max.	$10^{11}/_{32}$

Flange rating \geq PN 160			
Center to face	[inch]	Inlet a	$4^{1}/_{16}$
		Outlet b	$3^{15}/_{16}$
Height	[inch]	H max.	$10^{15}/_{32}$

ASME B 16.5 (Available flange sizes refer to page 04/05)

Flange rating class 150			
Center to face	[inch]	Inlet a	$3^{15}/_{16}$
		Outlet b	$3^{15}/_{16}$
Height	[inch]	H max.	$10^{11}/_{32}$

Flange rating class \leq 300			
Center to face	[inch]	Inlet a	$4^{1}/_{16}$
		Outlet b	$3^{15}/_{16}$
Height	[inch]	H max.	$10^{15}/_{32}$

Note The outlet dimension b can differ at special combinations of nominal diameter and pressure range if flanged connections are used at the inlet and outlet. Special dimensions are possible. More information at sales@leser.com

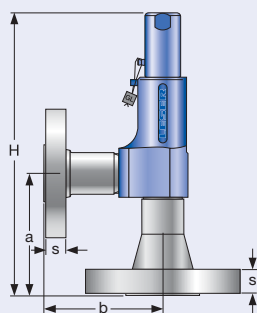
Weight

To calculate the total weight use the formula: $m_T = m_N + m_F (\text{Inlet}) + m_F (\text{Outlet})$

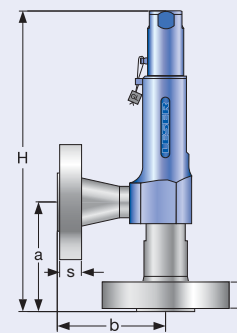
Weight net [lbs] (without inlet and outlet flange)	m_N	5.3	6.2	6.2
-------------------------------------------------------	-------	-----	-----	-----

Flange dimensions

	Size	DIN EN 1092-1 / Flange rating PN						ASME B16.5 / Flange rating						
		40	100	160	250	320	400	Größe	150	300	600	900	1500	2500
DN 15		NPS 1/2"												
Flange thickness [inch]	s	$2^3/_{32}$	–	$7/8$	$2^3/_{32}$	$1^3/_{32}$	$1^3/_{16}$		$9/_{16}$	$2^3/_{32}$	$2^3/_{32}$	$1^3/_{32}$	$1^3/_{32}$	$1^3/_{16}$
Weight slip on flange [lbs]	m_F	1.8	–	2.6	5.5	5.5	7.9		1.3	2.0	2.0	4.6	4.6	6.6
DN 20		NPS 3/4"												
Flange thickness [inch]	s	$2^5/_{32}$	$7/8$	–	–	–	–		$1^9/_{32}$	$2^3/_{32}$	$2^3/_{32}$	1	1	$1^1/4$
Weight slip on flange [lbs]	m_F	2.4	2.9	–	–	–	–		1.8	3.1	3.1	5.0	5.0	7.7
DN 25		NPS 1"												
Flange thickness [inch]	s	$7/8$	–	$1^1/_{32}$	$1^3/_{16}$	$1^13/_{32}$	$1^9/_{16}$		$2^1/_{32}$	$2^7/_{32}$	$2^7/_{32}$	$1^9/_{32}$	$1^9/_{32}$	$1^9/_{16}$
Weight slip on flange [lbs]	m_F	2.9	–	5.7	7.7	11.0	16.5		2.2	4.6	4.6	9.0	9.0	11.2



Conventional design



Long version

Pressure temperature ratings

Metric Units

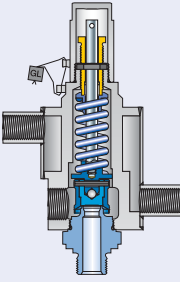
Actual Orifice diameter d_0 [mm]		6				10			
Actual Orifice area A_0 [mm ²]		28.3				78.5			
Body material: 1.4104 (430)									
Base / Inlet Body	Connection size	3/8"	1/2"	3/4"	1"	3/8"	1/2"	3/4"	1"
	Pressure rating	PN 400				PN 320			
Outlet body	Pressure rating	PN 160				PN 160			
Minimum set pressure	p [bar _g] S/G/L	180 [S/G only]				0.1			
Maximum set pressure	p [bar _g] S/G/L	365 [S/G only]				16 [only H3] 180			
Temperature acc. to DIN EN	min [°C]					-10			
	max [°C]					+220			
Temperature acc. to ASME	min [°C]					-29			
	max [°C]					+220			
Body material: 1.4404 (316L)									
Base / Inlet Body	Connection size	3/8"	1/2"	3/4"	1"	3/8"	1/2"	3/4"	1"
	Pressure rating	PN 400				PN 320			
Outlet body	Pressure rating	PN 160				PN 160			
Minimum set pressure	p [bar _g] S/G/L	180 [S/G only]				0.1			
Maximum set pressure	p [bar _g] S/G/L	365 [S/G only]				180			
Temperature acc. to DIN EN	min [°C]					-270			
	max [°C]					+280			
Temperature acc. to ASME	min [°C]					-268			
	max [°C]					+280			

US Units

Actual Orifice diameter d_0 [inch]		0,236				0,394			
Actual Orifice area A_0 [inch ²]		0,044				0,122			
Body material: 1.4104 (430)									
Base / Inlet Body	Connection size	3/8"	1/2"	3/4"	1"	3/8"	1/2"	3/4"	1"
	Minimum set pressure	p [psig] S/G/L	2611				1.5		
Maximum set pressure	p [psig] S/G/L	5294				145 [only H3] 2611			
Temperature acc. to DIN EN	min [°F]					+14			
	max [°F]					+428			
Temperature acc. to ASME	min [°F]					-20			
	max [°F]					+428			
Body material: 1.4404 (316L)									
Base / Inlet Body	Connection size	3/8"	1/2"	3/4"	1"	3/8"	1/2"	3/4"	1"
	Minimum set pressure	p [psig] S/G/L	2611				1.5		
Maximum set pressure	p [psig] S/G/L	5294				2611			
Temperature acc. to DIN EN	min [°F]					-450			
	max [°F]					+536			
Temperature acc. to ASME	min [°F]					-450			
	max [°F]					+536			

Available Options


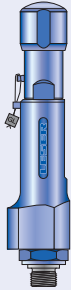
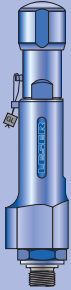

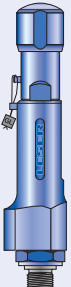
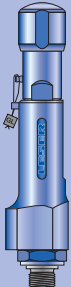
Type 437

<p>Male thread</p> 	<p>Female thread</p> 	<p>Flanged version</p> 	
<p>Stellited sealing surface J25: Disc stellited L20: Base/inlet body</p> 	<p>Disc with inserted sealing plate J44: PTFE-FDA "A" J48: PCTFE "G" J49: VESPEL-SP1 "T"</p> 		
<p>Heating jacket H29</p> 	<p>Test gag J70: H2</p>	<p>INCONEL X-750 spring X08</p> 	
<p>Special material 2.4610 Hastelloy® C4 2.4360 Monel® 400 1.4462 Duplex</p> 			

Application range of conventional design and long version

Type 437

Application range

Type 4373	Conventional design		Long version																																							
	S/G/L	S/G	S/G/L	S/G																																						
 <table border="1"> <tr><th colspan="2">S/G/L</th></tr> <tr><td>Act. Orifice diameter</td><td>d_0 [mm] 10 [inch] 0.394</td></tr> <tr><td>Act. Orifice area</td><td>A_0 [mm²] 78.5 [inch²] 0.122</td></tr> <tr><th>Components</th><th>Materials</th></tr> <tr><td>Base / Inlet Body</td><td>1.4104 SA 479 430</td></tr> <tr><td>Disc</td><td>1.4122 Hardened stainless steel</td></tr> </table>	S/G/L		Act. Orifice diameter	d_0 [mm] 10 [inch] 0.394	Act. Orifice area	A_0 [mm ²] 78.5 [inch ²] 0.122	Components	Materials	Base / Inlet Body	1.4104 SA 479 430	Disc	1.4122 Hardened stainless steel	 <table border="1"> <tr><th colspan="2">S/G/L</th></tr> <tr><td>Act. Orifice diameter</td><td>d_0 [mm] 10 [inch] 0.394</td></tr> <tr><td>Act. Orifice area</td><td>A_0 [mm²] 78.5 [inch²] 0.122</td></tr> <tr><th>Components</th><th>Materials</th></tr> <tr><td>Base / Inlet Body</td><td>1.4104 SA 479 430</td></tr> <tr><td>Disc</td><td>1.4122 Hardened stainless steel</td></tr> </table>	S/G/L		Act. Orifice diameter	d_0 [mm] 10 [inch] 0.394	Act. Orifice area	A_0 [mm ²] 78.5 [inch ²] 0.122	Components	Materials	Base / Inlet Body	1.4104 SA 479 430	Disc	1.4122 Hardened stainless steel	 <table border="1"> <tr><th colspan="2">S/G</th></tr> <tr><td>Act. Orifice diameter</td><td>d_0 [mm] 6 [inch] 0.236</td></tr> <tr><td>Act. Orifice area</td><td>A_0 [mm²] 28.3 [inch²] 0.044</td></tr> <tr><th>Components</th><th>Materials</th></tr> <tr><td>Base / Inlet Body</td><td>1.4404 Stellite SA 479 316L Stellite</td></tr> <tr><td>Disc</td><td>1.4404 Stellite SA 479 316L Stellite</td></tr> </table>	S/G		Act. Orifice diameter	d_0 [mm] 6 [inch] 0.236	Act. Orifice area	A_0 [mm ²] 28.3 [inch ²] 0.044	Components	Materials	Base / Inlet Body	1.4404 Stellite SA 479 316L Stellite	Disc	1.4404 Stellite SA 479 316L Stellite				
	S/G/L																																									
Act. Orifice diameter	d_0 [mm] 10 [inch] 0.394																																									
Act. Orifice area	A_0 [mm ²] 78.5 [inch ²] 0.122																																									
Components	Materials																																									
Base / Inlet Body	1.4104 SA 479 430																																									
Disc	1.4122 Hardened stainless steel																																									
S/G/L																																										
Act. Orifice diameter	d_0 [mm] 10 [inch] 0.394																																									
Act. Orifice area	A_0 [mm ²] 78.5 [inch ²] 0.122																																									
Components	Materials																																									
Base / Inlet Body	1.4104 SA 479 430																																									
Disc	1.4122 Hardened stainless steel																																									
S/G																																										
Act. Orifice diameter	d_0 [mm] 6 [inch] 0.236																																									
Act. Orifice area	A_0 [mm ²] 28.3 [inch ²] 0.044																																									
Components	Materials																																									
Base / Inlet Body	1.4404 Stellite SA 479 316L Stellite																																									
Disc	1.4404 Stellite SA 479 316L Stellite																																									
0	986	1349	2611	4786	5294	5511	Set pressure p [psig]																																			
0	68	93	180	330	365	380	Set pressure p [bar]																																			
Type 4374	Conventional design		Long version																																							
	S/G/L	S/G	S/G/L	S/G																																						
 <table border="1"> <tr><th colspan="2">S/G/L</th></tr> <tr><td>Act. Orifice diameter</td><td>d_0 [mm] 10 [inch] 0.394</td></tr> <tr><td>Act. Orifice area</td><td>A_0 [mm²] 78.5 [inch²] 0.122</td></tr> <tr><th>Components</th><th>Materials</th></tr> <tr><td>Base / Inlet Body</td><td>1.4404 SA 479 316L</td></tr> <tr><td>Disc</td><td>1.4404 SA 479 316L</td></tr> </table>	S/G/L		Act. Orifice diameter	d_0 [mm] 10 [inch] 0.394	Act. Orifice area	A_0 [mm ²] 78.5 [inch ²] 0.122	Components	Materials	Base / Inlet Body	1.4404 SA 479 316L	Disc	1.4404 SA 479 316L	 <table border="1"> <tr><th colspan="2">S/G/L</th></tr> <tr><td>Act. Orifice diameter</td><td>d_0 [mm] 10 [inch] 0.394</td></tr> <tr><td>Act. Orifice area</td><td>A_0 [mm²] 78.5 [inch²] 0.122</td></tr> <tr><th>Components</th><th>Materials</th></tr> <tr><td>Base / Inlet Body</td><td>1.4404 SA 479 316L</td></tr> <tr><td>Disc</td><td>1.4404 SA 479 316L</td></tr> </table>	S/G/L		Act. Orifice diameter	d_0 [mm] 10 [inch] 0.394	Act. Orifice area	A_0 [mm ²] 78.5 [inch ²] 0.122	Components	Materials	Base / Inlet Body	1.4404 SA 479 316L	Disc	1.4404 SA 479 316L	 <table border="1"> <tr><th colspan="2">S/G</th></tr> <tr><td>Act. Orifice diameter</td><td>d_0 [mm] 6 [inch] 0.236</td></tr> <tr><td>Act. Orifice area</td><td>A_0 [mm²] 28.3 [inch²] 0.044</td></tr> <tr><th>Components</th><th>Materials</th></tr> <tr><td>Base / Inlet Body</td><td>1.4404 Stellite SA 479 316L Stellite</td></tr> <tr><td>Disc</td><td>1.4404 Stellite SA 479 316L Stellite</td></tr> </table>	S/G		Act. Orifice diameter	d_0 [mm] 6 [inch] 0.236	Act. Orifice area	A_0 [mm ²] 28.3 [inch ²] 0.044	Components	Materials	Base / Inlet Body	1.4404 Stellite SA 479 316L Stellite	Disc	1.4404 Stellite SA 479 316L Stellite				
	S/G/L																																									
Act. Orifice diameter	d_0 [mm] 10 [inch] 0.394																																									
Act. Orifice area	A_0 [mm ²] 78.5 [inch ²] 0.122																																									
Components	Materials																																									
Base / Inlet Body	1.4404 SA 479 316L																																									
Disc	1.4404 SA 479 316L																																									
S/G/L																																										
Act. Orifice diameter	d_0 [mm] 10 [inch] 0.394																																									
Act. Orifice area	A_0 [mm ²] 78.5 [inch ²] 0.122																																									
Components	Materials																																									
Base / Inlet Body	1.4404 SA 479 316L																																									
Disc	1.4404 SA 479 316L																																									
S/G																																										
Act. Orifice diameter	d_0 [mm] 6 [inch] 0.236																																									
Act. Orifice area	A_0 [mm ²] 28.3 [inch ²] 0.044																																									
Components	Materials																																									
Base / Inlet Body	1.4404 Stellite SA 479 316L Stellite																																									
Disc	1.4404 Stellite SA 479 316L Stellite																																									
							Also useable above 330 bar (4786 psig) but TÜV requirements will not be fulfilled																																			

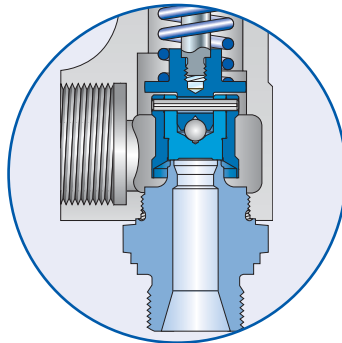
Available connections

For dimensions and weights refer to:

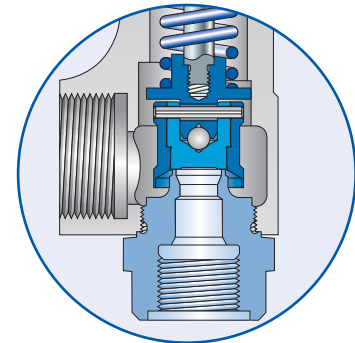
Type 437 – page 01/08 + 01/10

Type 438 – page 02/08 + 02/10

Type 439 – page 03/08 + 03/10



Male thread



Female thread

Threaded connections

	Valve size	d ₀ 6 mm		d ₀ 10 mm	
		Inlet	Outlet	Inlet	Outlet
		Option code	Option code	Option code	Option code
Male thread DIN ISO 228-1					
G	3/8"	V49	–	V49	–
	1/2"	V54	–	V54	–
	3/4"	V55	–	V55	–
	1"	V56	–	V56	–
Female thread DIN ISO 228-1					
G	1/2"	V50	V65	V50	V65
	3/4"	V51	V76	V51	V76
	1"	V52	V66	V52	V66
Male thread DIN ISO 7- 1 / BS 21					
R/BSPT	1/2"	V30	–	V30	–
	3/4"	V31	–	V31	–
	1"	V32	–	V32	–
Female thread DIN ISO 7- 1 / BS 21					
Rc/BSPT	1/2"	V38	V34	V38	V34
	3/4"	V39	V35	V39	V35
	1"	V40	V36	V40	V36
Male thread ANSI / ASME B1.20.1					
NPT	1/2"	V61	–	V61	–
	3/4"	V62	–	V62	–
	1"	V63	–	V63	–
Female thread ANSI / ASME B1.20.1					
NPT	1/2"	V58	V70	V58	V70
	3/4"	V59	V77	V59	V77
	1"	V60	V71	V60	V71

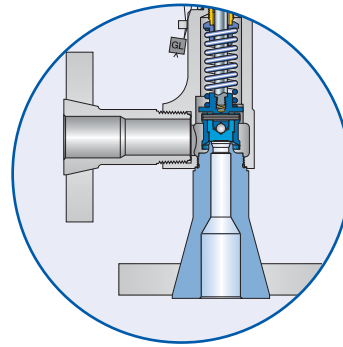
Flanged and threaded connections can be combined.

Threads according to other standards are available.

Please specify in writing (diameter, pressure rating, standard).

Available connections

For dimensions and weights refer to:
 Type 437 – page 01/09 + 01/11
 Type 438 – page 02/09 + 02/11
 Type 439 – page 03/09 + 03/11



Flanged version

Flanged connections					
Valve size	Pressure rating	d ₀ 6 mm		d ₀ 10 mm	
DIN EN 1092-1 (PN > 100: DIN 2501)					
DN	PN	Option code		Option code	
		Inlet	Outlet	Inlet	Outlet
15	40		I40	I21	I40
	160		I41	I22	I41
	250	I23	I42	I23	I42
	320	I24	–	I24	–
	400	I25	–	I25	–
20	40	I26	I43	I26	I43
	100	I27	I44	I27	I44
25	40		I46	I31	I46
	160		I47	I32	I47
	250	I33	I48	I33	I48
	320	I34	–	I34	–
	400	I35	–	I35	–
ANSI/ASME B16.5					
NPS	CL	Option code		Option code	
		Inlet	Outlet	Inlet	Outlet
1/2"	150		V24	V01	V24
	300		V13	V02	V13
	600		V13	V02	V13
	900	V03	V14	V03	V14
	1500	V03	–	V03	–
	2500	V04	–	V04	–
3/4"	150		V15	V05	V15
	300		V16	V06	V16
	600		V16	V06	V16
	900	V07	V17	V07	V17
	1500	V07	–	V07	–
	2500	V08	–	V08	–
1"	150		V18	V09	V18
	300		V19	V10	V19
	600		V19	V10	V19
	900	V11	V20	V11	V20
	1500	V11	–	V11	–
	2500	V12	–	V12	–

Flanged and threaded connections can be combined.
 Threads according to other standards are available.
 Please specify in writing (diameter, pressure rating, standard).