

Type 444 DIN

Flanged Safety Relief Valves
– spring loaded

Metric + US Units

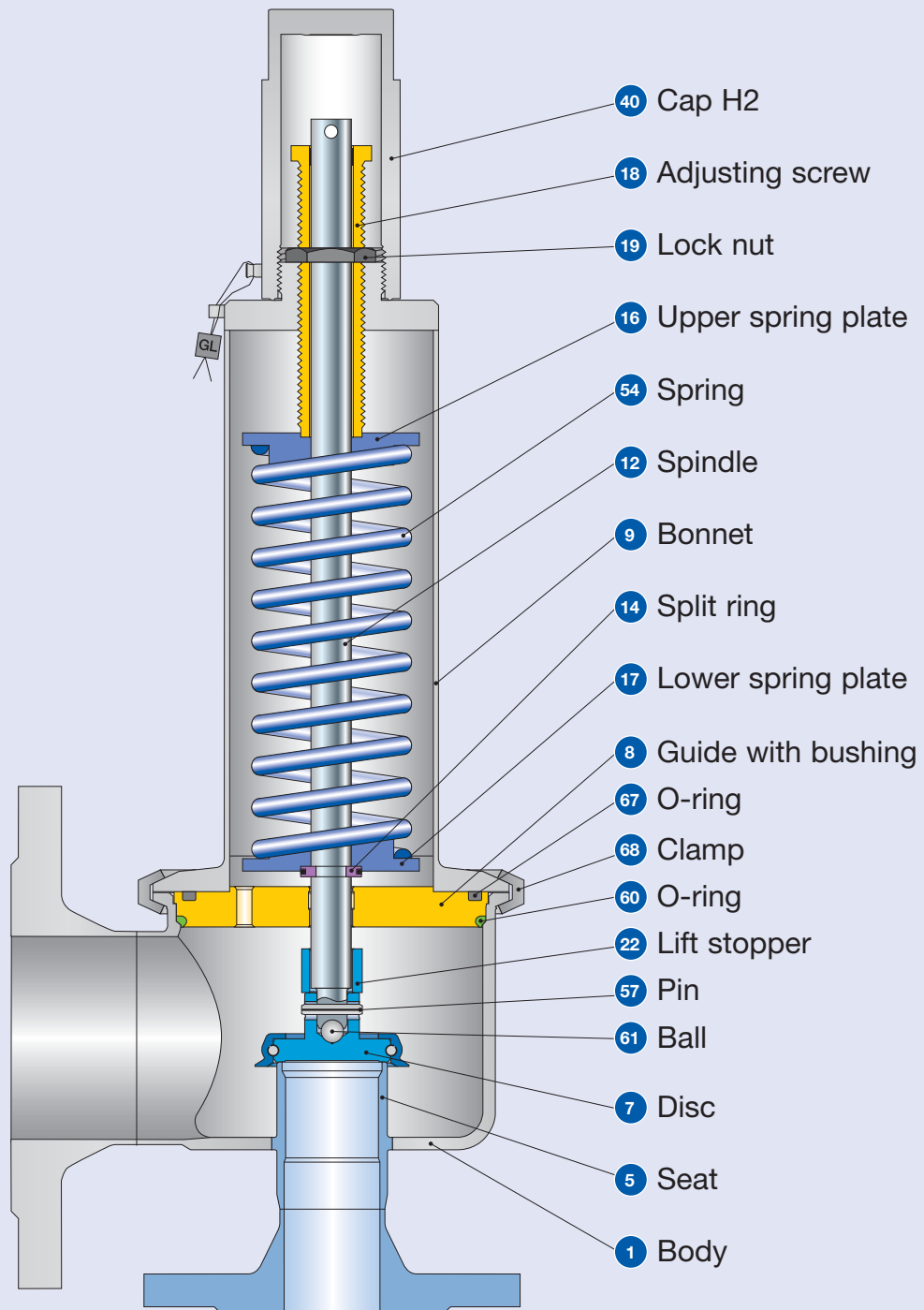


Facts

LESER

The-Safety-Valve.com

Conventional design



Conventional design

Materials		
Item	Component	Type 4444 DIN
1	Body	1.4404
		SA 479 316L
5	Seat	1.4404
		316L
7	Disc	1.4404
		316L
8	Guide	1.4404
		316L
	with bushing	PTFE +15% glass PTFE +15% glass
9	Bonnet	1.4404
		SA 479 316L
12	Spindle	1.4404
		316L
14	Split ring	1.4404
		316L
16 / 17	Spring plate	1.4404
		316L
18	Adjusting screw with bushing	1.4404, PTFE + 15% glass
		316L, PTFE + 15% glass
19	Lock nut	1.4404
		316L
22	Lift stopper	1.4404
		316L
40	Cap H2	1.4404
		316L
54	Spring	1.4310
		Stainless steel
57	Pin	1.4310
		302
60	O-ring	EPDM-FDA
		EPDM-FDA
61	Ball	1.4401
		316
67	O-ring	EPDM-FDA
		EPDM-FDA
68	Clamp	1.4401
		316

Please notice:

- Modifications reserved by LESER.
- LESER can upgrade materials without notice.
- Every part can be replaced by other material acc. to customer specification.

Dimensions and weights

Metric Units

DN _i	25	40	50	65	80	80
DN _o	50	80	80	100	100	100
Actual Orifice diameter d ₀ [mm]	23	37	46	60	74	74
Actual Orifice area A ₀ [mm ²]	416	1075	1662	2827	4301	4301
Set pressure range S/G/L [bar _g]	see page 04/08				0.1 – 6.8	6.81 – 16

Weight [kg]	7	13	14	23	24	24
Center to face [mm]	Inlet a	85	110	110	125	125
	Outlet b	90	128	128	160	160
Height (H4) [mm] Standard H max.	308	519	519	631	631	631

Body material: 1.4404 (316L)

DIN Flange	Inlet	PN 16
	Outlet	PN 16

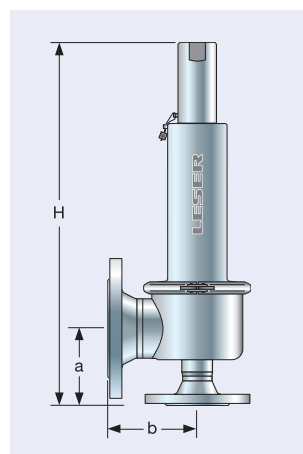
US Units

DN _i	25	40	50	65	80	80
DN _o	50	80	80	100	100	100
Actual Orifice diameter d ₀ [inch]	0.91	1.46	1.81	2.36	2.91	2.91
Actual Orifice area A ₀ inch ²	0.644	1.667	2.576	4.383	6.666	6.666
Set pressure range S/G/L [psig]	see page 04/08				1.5 – 98.6	98.61 – 232

Weight [lbs]	16	29	31	51	53	53
Center to face [inch]	Inlet a	3 ³ / ₈	4 ⁵ / ₁₆	4 ⁵ / ₁₆	4 ¹⁵ / ₁₆	4 ¹⁵ / ₁₆
	Outlet b	3 ¹ / ₂	5 ¹ / ₁₆	5 ¹ / ₁₆	6 ⁵ / ₁₆	6 ⁵ / ₁₆
Height (H4) [inch] Standard H max.	12 ¹ / ₈	20 ⁷ / ₁₆	20 ⁷ / ₁₆	20 ¹³ / ₁₆	20 ¹³ / ₁₆	20 ¹³ / ₁₆

Body material: 1.4404 (316L)

DIN Flange	Inlet	PN 16
	Outlet	PN 16



Conventional design

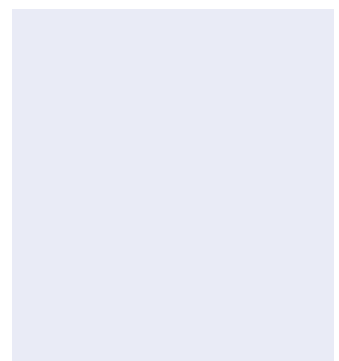
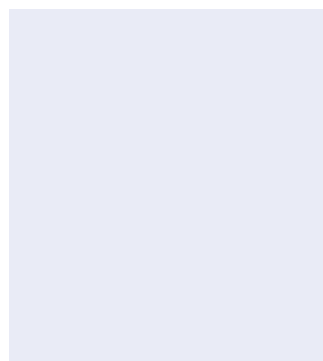
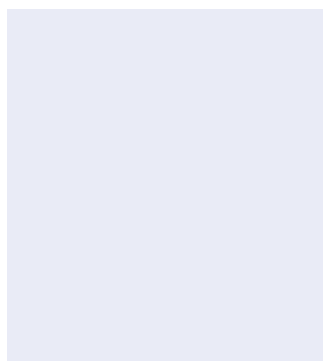
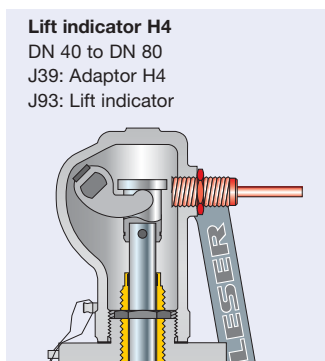
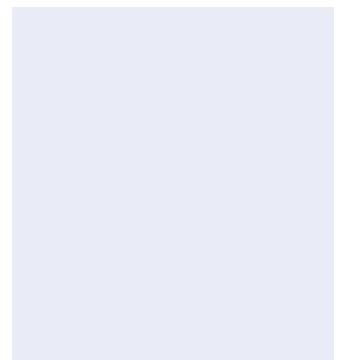
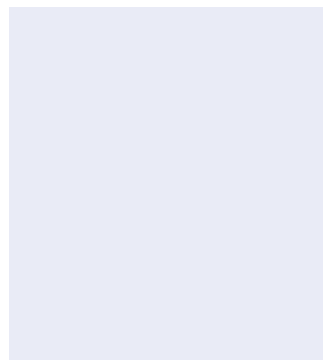
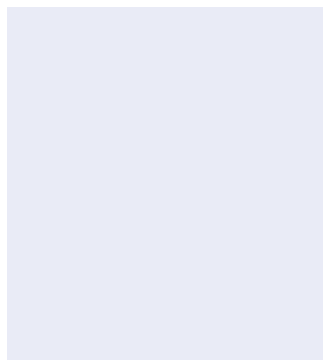
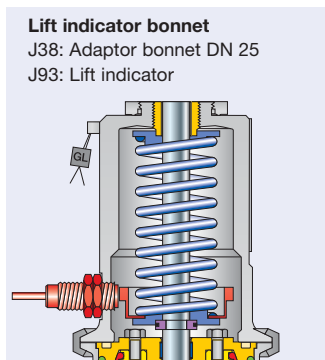
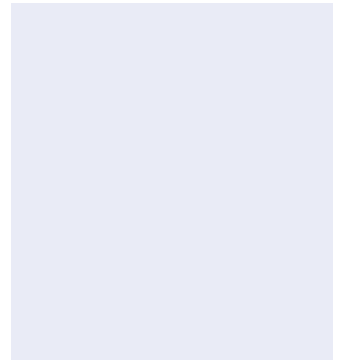
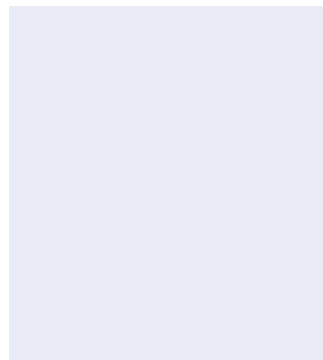
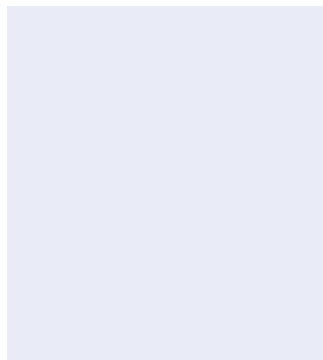
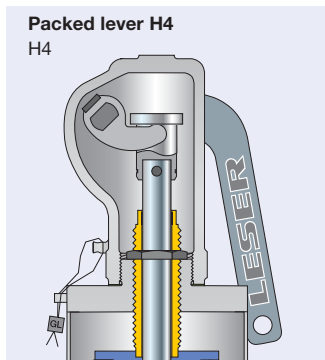
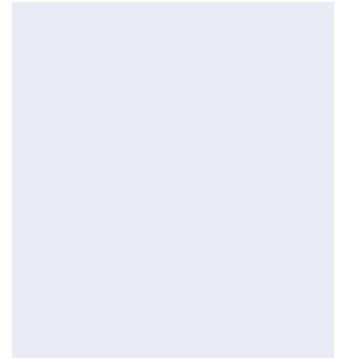
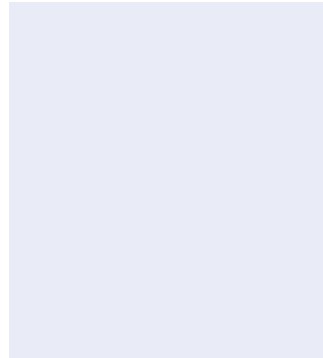
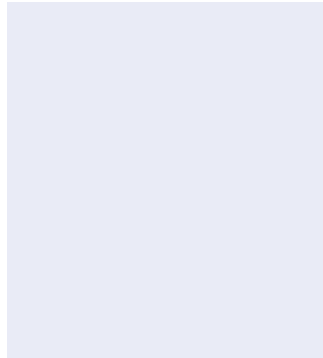
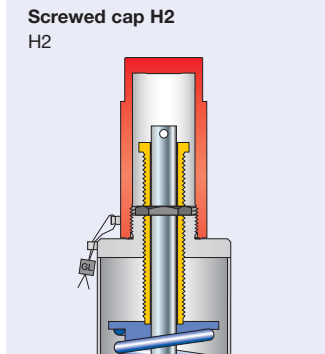
Pressure temperature ratings

Metric Units							
	DN _i	25	40	50	65	80	80
	DN _o	50	80	80	100	100	100
	Actual Orifice diameter d ₀ [mm]	23	37	46	60	74	74
	Actual Orifice area A ₀ [mm ²]	416	1075	1662	2827	4301	4301
Body material: 1.4404 (316L)							
DIN Flange	Inlet	PN 16					
	Outlet	PN 16					
Minimum set pressure	p [bar _g] S/G/L	0.1	0.1	0.1	0.1	0.1	6.81
Maximum set pressure	p [bar _g] S/G/L	16	16	16	16	6.8	16
Temperature acc. to DIN EN	min. [°C]	-45					
	max. [°C]	+200					
Temperature acc. to ASME	min. [°C]	-45					
	max. [°C]	+200					

US Units							
	DN _i	25	40	50	65	80	80
	DN _o	50	80	80	100	100	100
	Actual Orifice diameter d ₀ [inch]	0.91	1.46	1.81	2.36	2.91	2.91
	Actual Orifice area A ₀ [inch ²]	0.644	1.667	2.576	4.383	6.666	6.666
Body material: 1.4404 (316L)							
DIN Flange	Inlet	PN 16					
	Outlet	PN 16					
Minimum set pressure	p [psig] S/G/L	1.5	1.5	1.5	1.5	1.5	98.61
Maximum set pressure	p [psig] S/G/L	232	232	232	232	98.6	232
Temperature acc. to DIN EN	min. [°F]	-49					
	max. [°F]	+392					
Temperature acc. to ASME	min. [°F]	-49					
	max. [°F]	+392					

Available Options

For further information refer to
"Accessoires and Options", page 99/01



Type 444 DIN