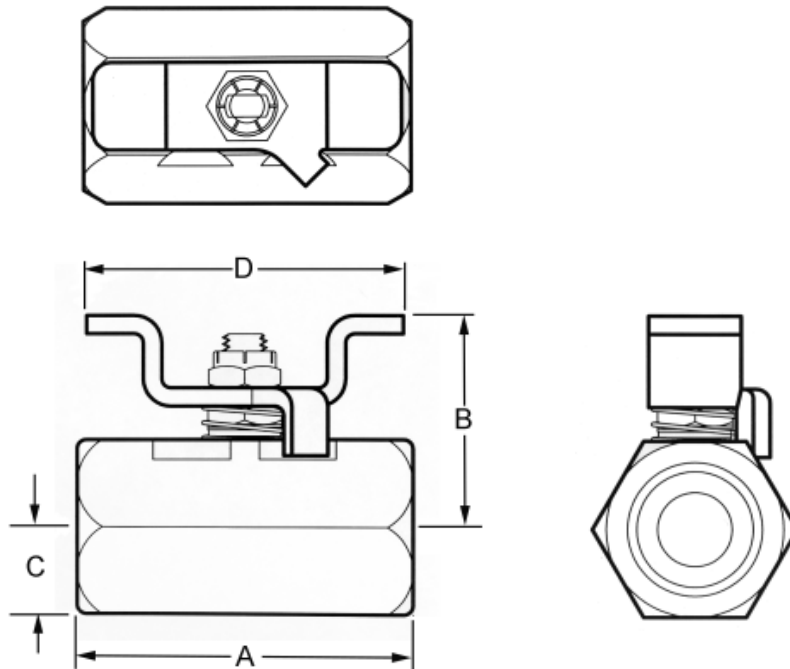




Wing Handle Dimensions

2 Otter Court, Raymond, New Hampshire 03077 • Tel. (603) 895-4761 • FAX (603) 895-6785

Product Code Suffix “W”



Valve Size & Series			Dimensions - Inches					Dimensions - Millimeters				
			A		B	C	D	A		B	C	D
76	86	96	76	86 & 96				76	86 & 96			
1/2	1/4 & 3/8	-	2.18	2.18	1.37	.50	2.15	55.4	55.4	34.8	12.7	54.6
3/4	1/2	-	2.22	2.60	1.46	.59	2.15	56.4	66.0	37.1	15.0	54.6
1	3/4	1/2	2.75	2.94	1.89	.75	2.73	69.9	74.7	48.0	19.0	69.3
1-1/4	1	3/4	3.00	3.32	2.10	1.0	2.73	76.2	84.3	53.3	25.4	69.3
1-1/2	1-1/4	1	3.45	3.70	2.14	1.06	3.16	87.6	94.0	54.4	26.9	80.3
2	1-1/2	1-1/4	4.04	4.25	2.39	1.31	3.16	102.6	108.0	60.7	33.3	80.3
-	2	1-1/2	-	4.56	2.60	1.50	3.16	-	115.8	66.0	38.1	80.3

Handle Material: Zinc Plated Carbon Steel