



Latching Lockable Handle for Gemini 76, 82, 86, & 96 Series Ball Valves

2 Otter Court, Raymond, New Hampshire 03077 • Tel. (603) 895-4761 • FAX (603) 895-6785 • www.geminivalve.com

FEATURES

- **Spring Loaded Latching Mechanism Prevents Accidental Opening or Closing of the Valve and Assures Latching Function regardless of Valve Orientation in the Piping System**
- **Any Padlock with a Shackle Up to 5/16" Diameter Enables Positive Locking of the Valve in Either the Open or Closed Position**
- **A Nut Guard Prevents Removal of the Handle when the Valve is Locked in Either the Open or Closed Position**
- **Easily Retrofittable Onto Existing Installations of Gemini 76, 82, 86, & 96 Series Ball Valves**



The Gemini Latching Lockable Handle for 76, 82, 86, & 96 Series Gemini Valves provides a lever handle which prevents accidental opening or closing. A simple but positive thumb motion is required to pull the spring loaded slider back until it clears the latch stop mounted on the valve, before the handle can be turned from either fully opened or closed position. An arrow with the word 'UNLATCH'

is clearly stamped on both sides of the latching slider to guide the operator.

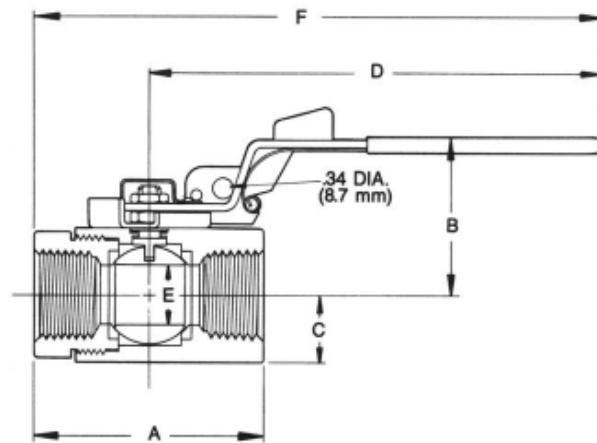
A hole in the latching slider makes it possible to lock the handle in either the opened or closed position with a locking device, such as a padlock. A padlock with any size shackle up to 5/16" diameter assures positive lock out.

Tampering if further discour-

aged by means of a nut guard which prevents removal of the handle retaining nut, when the valve is locked. When the lock is removed and the slider pulled back, the nut guard can be swung out so that the handle nut may be adjusted or removed.

All sizes are easily retrofittable to existing installations of Gemini 76, 82, 86 & 96 Series valves.

Dimensions and Specifications



Valve Size & Series				Dimensions - Inches												
				A			B		C		D	E		F		
76	86	96	82	76	86 & 96	82	76 86 96	82	76 86 96	82	76 86 96 82	76 86 96	82	76	86 96	82
1/2	1/4 & 3/8	-	1/4	2.18	2.18	3.72	1.98	1.77	0.50	.50	6.75	0.36	0.36	7.81	7.86	8.62
3/4	1/2	-	3/8	2.22	2.61	3.70	2.08	1.77	0.60	.50	6.75	0.49	0.36	7.86	8.07	8.56
1	3/4	1/2	1/2	2.76	2.94	3.94	2.23	1.77	0.75	.50	6.75	0.63	0.36	8.13	8.22	8.73
1-1/4	1	3/4	3/4	3.02	3.32	4.17	2.45	1.87	0.97	.59	6.75	0.80	0.49	8.26	8.41	8.85
1-1/2	1-1/4	1	1	3.45	3.70	4.92	2.61	2.08	1.06	.75	6.75	0.97	0.62	8.35	8.59	9.21
2	1-1/2	1-1/4	-	4.04	4.25	-	2.87	-	1.31	-	6.75	1.25	-	8.67	8.88	-
-	2	1-1/2	-	-	4.57	-	3.06	-	1.50	-	6.75	1.50	-	-	9.04	-

Materials of Construction

The base plate, handle, and slider are zinc plated carbon steel. The latching spring is 18-8 (300 series) stainless steel.

How To Order

On a Valve: To order a latching lockable handle on a Gemini 76, 86 or 96 Series Ball Valve, simply follow the product code of the ball valve with a hyphen and the LL handle product code.

As a Kit: To order a latching lockable handle kit for a Gemini 76, 86 or 96 Series Ball Valve, specify the LL Handle Kit Code for the valve to be retrofitted from the chart below.

Example: 1 76-6-RT-6-LL

Example Medium LL-K

76	86	96	Kit Number	82	Kit Number
1/2	1/4 & 3/8	-	Small LLM-K	1/4	Small LLM-K
3/4	1/2	-		3/8	
1	3/4	1/2	Medium LL-K	1/2	
1-1/4	1	3/4	Large LL-K	3/4	Medium LL-K
1-1/2	1-1/4	1		1	
2	1-1/2	1-1/4		-	-
-	2	1-1/2	-	-	



2 Otter Court
Raymond, NH 03077

Tel. (603) 895-4761
FAX (603) 895-6785
www.geminivalve.com

ISL029-0506