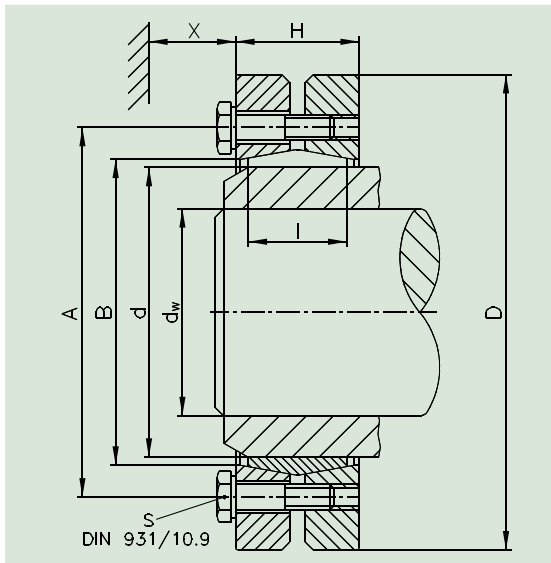


Shrink Discs matching Bauer – shaft-mounted reducers 3061



- H is in unlocked position
 M_t = Transmissible torque per
 shrink disc
 M_A = Tightening torque per bolt
 X - min. space required for standard
 torque wrench
 Z - Number of bolts

Getriebetyp		d_w	d	M_t	D	I	H	M_A	Z	S	Weight
FG	AG	mm	mm	Nm	mm	mm	mm	Nm			kg
-	02/03	30	36	570	72	18	23	12	5	M 6x20	0.5
-	12/13	35	44	780	80	20	25	12	7	M 6x20	0.6
0	-	36	44	860	80	20	25	12	7	M 6x20	0.6
-	22/ 23	40	50	1160	90	22	27	12	8	M 6x25	0.8
0/ 1	-	42	50	1380	90	22	27	12	8	M 6x25	0.8
-	32/ 33	50	60	2130	110	23	30	12	10	M 6x25	1.3
3	-	52	62	2250	110	23	30	12	10	M 6x25	1.3
-	42/ 43	60	68	3150	115	23	30	12	10	M 6x25	1.4
5/7	52/ 53	70	80	4600	138	25	32	30	7	M 8x30	2.3
9	62/ 63	80	95	7400	150	30	38	30	9	M 8x35	2.8
11	-	85	105	10200	185	39	50	59	9	M 10x40	6.1
-	72/ 73	90	105	11400	185	39	50	59	9	M 10x40	6.1
13	82/ 83	100	120	18000	215	42	54	59	12	M 10x40	8.8
-	92/ 93	110	130	25500	230	46	60	100	10	M 12x45	11
15	-	110	135	24000	230	46	60	100	10	M 12x45	10.6
-	102/ 103	120	135	29000	230	46	60	100	10	M 12x45	10.6
-	112/ 113	130	150	42000	265	50	64	100	12	M 12x50	14.6
17	-	125	155	36000	265	50	64	100	12	M 12x50	15

Shrink-discs d = 36 mm up to d = 68 mm are range 3071.