

Mounting instructions for 3071–3051 – 3091–3073 – 3061

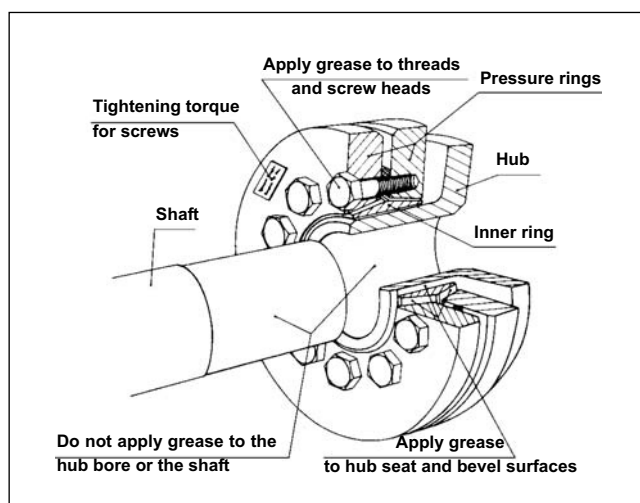
Notes

The shrink rings are supplied assembled and ready to mount. Only the larger units, where the weights involved make handling difficult, should be disassembled to facilitate mounting.

Mounting instructions

1. Remove any spacers which may have been arranged between the pressure rings as protection during transport.
2. The screws should only be tightened to such a degree that the inner ring can still be turned freely.
3. Apply grease to the surface of the hub on which the shrink ring seats.
4. Push the shrink ring onto the hub.

Attention: Do not begin tightening the screws before the shaft is in place in the hub bore, otherwise permanent deformation will result.
5. Push the hub onto the shaft, both contact surfaces being ungreased.
6. Make sure the shrink ring is aligned, i. e. the pressure rings are in parallel planes, by tightening the screws with a short wrench.
7. Tighten the ring by tensioning the screws evenly one after the other in clockwise direction (not in a "crosswise" fashion). It will be necessary to go round several times before all the screws are torqued down to the recommended value. (For torque values and required wrench lengths see below). Check with a torque wrench. The tightening torque is either punched into the material with smaller units, or is indicated on a plate.



Disassembly

1. Loosen the screws evenly one after the other, again going round several times to avoid canting of the plates on the inner ring.

Under no circumstances whatsoever should the screws be totally disengaged, since this could lead to a ring jumping of force (Think Safety).
2. Before the shaft is dismantled or the hub pulled off, any rust on the hub or shaft should be removed.
3. Remove the shrink ring from the hub.

Cleaning and regreasing

Shrink rings which have been in service should be totally dismantled and cleaned. The bevel surfaces are factory lubricated with a solid lubricant (e. g. Weicon „Anti-Size“).

Undamaged bevel surfaces should be regreased only with Weicon „Anti-Size“, which should likewise be applied to the threads and screw-head bearing surfaces.

Screws (Grade 10.9)	Wrench length in cm	Tightening torque
M10	24	59 Nm
M12	34	100 Nm
M16	73	250 Nm
M20	125	490 Nm
M24	200	840 Nm