



NEW PRODUCTS NP-176

Illustration	Ref. No.	Application	On Sale
D-091  12V	31621-75F00 8-97171368-0 27357-11130 27357-87712-000 MD627094 35999-17671 (021580-5300)	SUZUKI WAGON R WIDE (K10A) '97~'00 (M13A) '00~'02 CULTUS (G15A/16A/13B) '97~'00 (J18A) '97~'98 ESCUDO (J20A) '96~'00 JIMNY JB33 (J13B) '98~'00 KEI (K6A) '01~ LAPUTA (K6A) '01~ MR WAGON (K6A) '01~ ALTO MF21S (K6A) '02~ ALTO LAPIN HA12S/22S (K6A) '02~ TWIN (K6A) '03~ WAGON R MC11S/12S (K6A) '01~ MC21S/22S (K6A) '01~	AUG.'09
	ALTERNATOR 12V60A 31400-75F01 (102211-5013) 8-97168246-1 (102211-5061) 31400-75F00 (102211-5170) 31400-81A00 (102211-5231) 33990-74011 (102211-5310) 31400-75F02 (102211-5760) 31400-73H01 (102211-5920) 31400-58J10 (102211-5961)	TOYOTA CORSA,COROLLA II (4E-FE) '97~'99 TERCEL (4E-FE) '97~'99 CYNOS (4E-FE) '97~'99 PASEO (4E-FE) '97~'99 STARLET (4E-FE) '97~'99 CAMI J100E (3K-VET) '00~ SPARKY (3K-VE) '00~'03 HIACE RZH102/104 (3K-VE) '01~'02 RZH112/114	
12V75A 8-97167157-2 (102211-5031) 8-97187304-0 (102211-5140) MD363640 (102211-5330)	12V70A 31400-60G12 (102211-5022) 31400-77E22 (102211-5070) 27060-11170 (102211-5091) 31400-77E23 (102211-5151)	DAIHATSU CHARADE (HC-E, HE-EG) '98~'00 PYZAR (HD-EP, HE-EG) '98~ TERIOS (3K-VET) '00~ ATRAI 7 S221G (3K-VE) '00~	
12V80A 27060-87404-000 (102211-5430) (102211-5540)	31400-75F50 (102211-5161) 27060-87727-000 (102211-5270) 31400-60G13 (102211-5280) 31400-78F00 (102211-5340) 31400-77E24 (102211-5520) 31400-78F10 (102211-5550) 19279-64013 (102211-5700)	ISUZU VEHI CROSS UGS25DW (6VD1) '97~ BIGHORN UBS26 (6VE1) '98~'01	
		MAZDA AZ-WAGON (K6A) '01~ CAROL (K6A) '02~ SPIANO (K6A) '02~	
		NISSAN MOCO MG21G (K6A) '02~ CLIPPER U771V, U71T (3G83) '03~	
		MITSUBISHI MINICAB (3G83) '98~	
		OTHERS INDUSTRIAL MACHINE (4BG1) '89~ (6VD1) '98~ (F2803) '01~ TRACTOR '98~	

<http://www.newera.co.jp/>



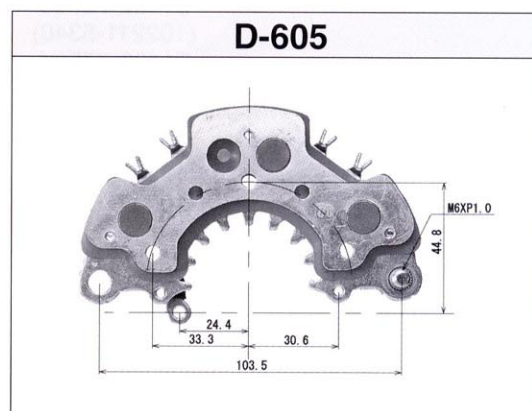
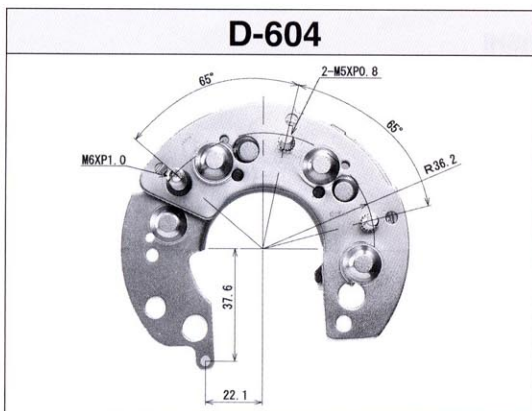
Illustration	Ref. No.	Application	On Sale
IVR-5013 12V 	27700-23010 (126000-3040) (126000-3041) (126000-2861)	TOYOTA VITZ SCP10 (1SZ-FE) '99~'05 YARIS PLATZ SCP11 (1SZ-FE) '99~ ECHO	AUG.'09
	ALTERNATOR 12V 70A 27060-23010 (102211-5250)		
	12V 80A 27060-23020 (102211-1670)		
	12V 90A 27060-23030 (102211-1680)		

ADDITIONAL APPLICATION

Illustration	Ref. No.	Application
D-092 12V 	27357-72150 ※27357-87708-000 ※27357-76007-71 ※31621-86510 ※8-94455159-0 (021580-3130)	Same as Page 146 of 2009 Catalogue.
D-093 12V 	27357-63040 ※27357-63040-A ※27357-87707-000 ※31127-PD1-004 (021580-2250) (021580-2260)	Same as Page 146 of 2009 Catalogue.

※Additional Applications

DRAWING



Ref. Page 142 of 2009 Catalogue.